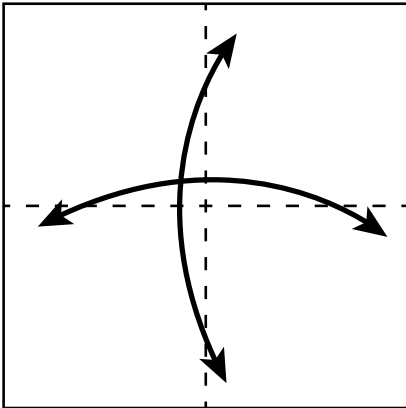
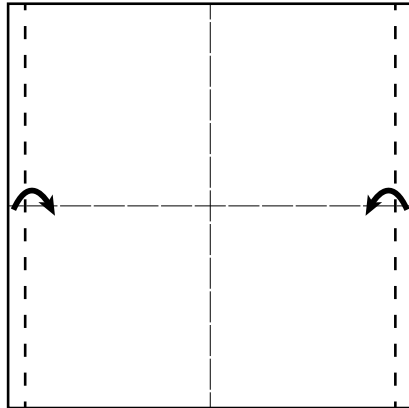


CREATE AND DESIGN AN ORIGAMI UNIFORM

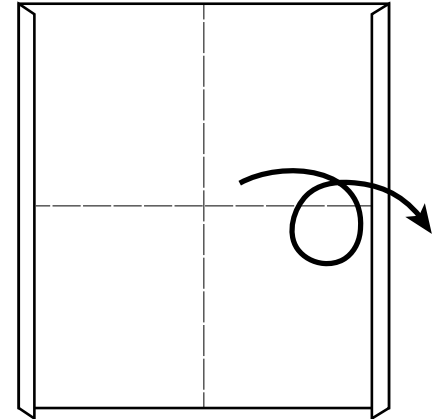
Follow the instructions below to create your very own uniform to decorate.



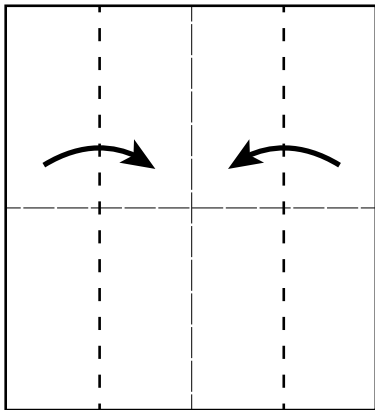
1 Start with a square sheet of paper. fold in half vertically and horizontally to make a crease and fold back.



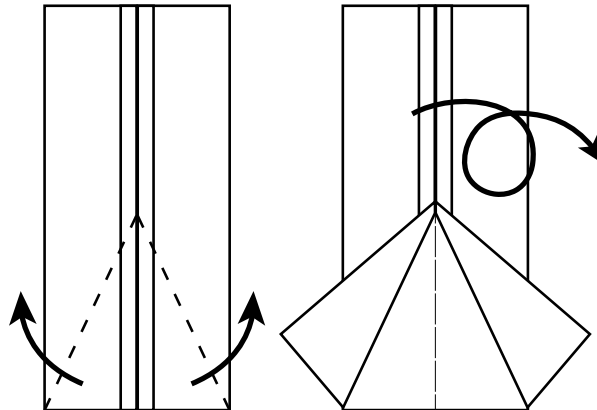
2 About 1/4in on the left and right side, vertically fold each towards the center.



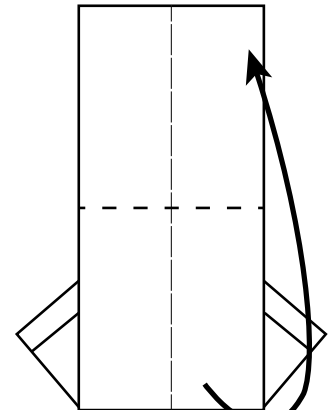
3 Flip the paper over.



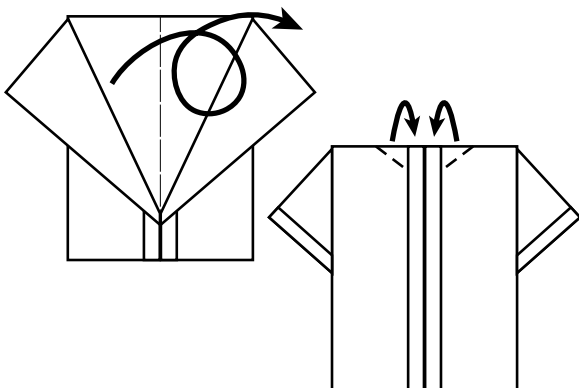
4 Next, fold the left and right side to meet at the center.



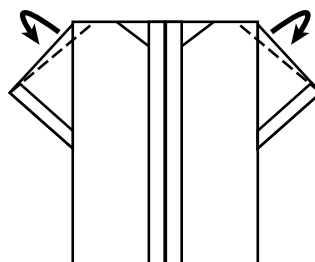
5 Fold each corner at the dotted line. Then flip the paper over.



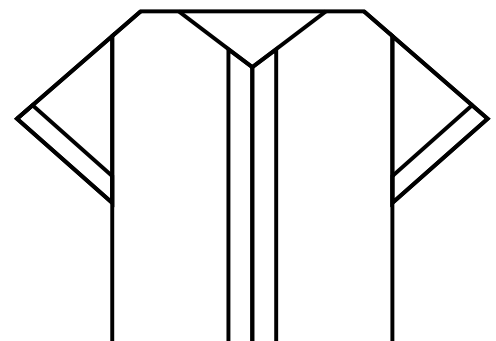
6 Take the bottom half, and fold it up to meet the top of the paper



7 Flip the paper over, then fold the two center top corners backward along the dotted line, tucking them inside.



8 Fold the top left and right corners behind, creating the shoulders.



9 Color and decorate your uniform!