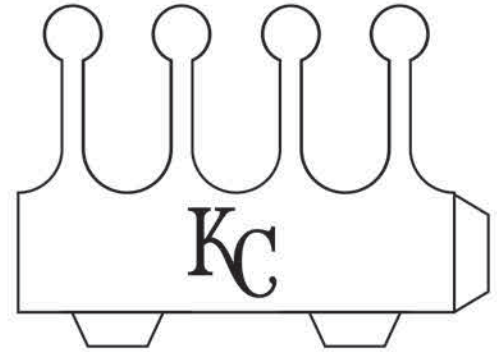


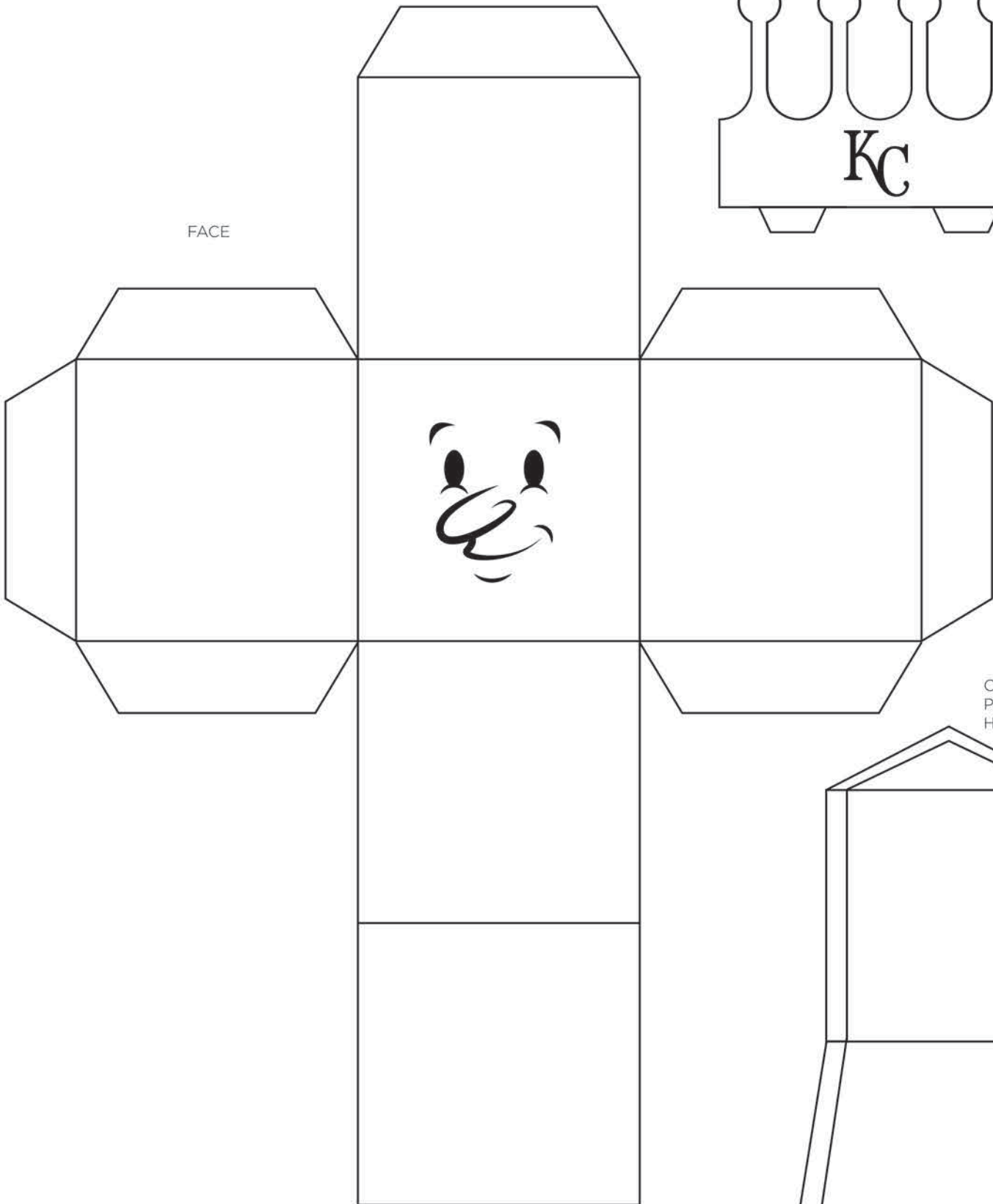
MAKING MR. ROYAL

COLOR IN MR. ROYAL AND THEN CUT HIM OUT TO FOLD HIM INTO A TOY

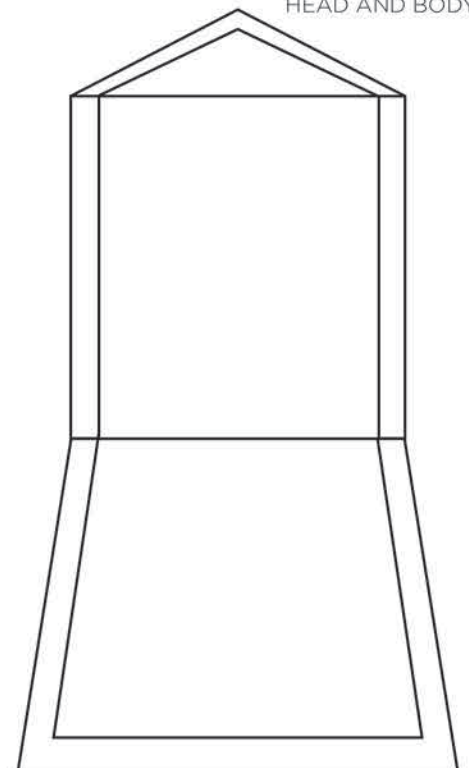
CROWN:
ROLL INTO A CYLINDER



FACE



CAPE:
PLACE BETWEEN
HEAD AND BODY



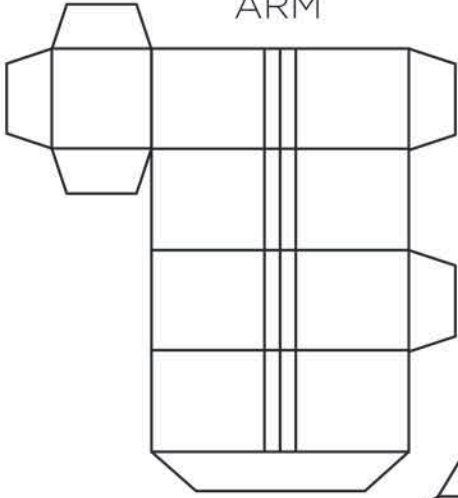


Kansas City

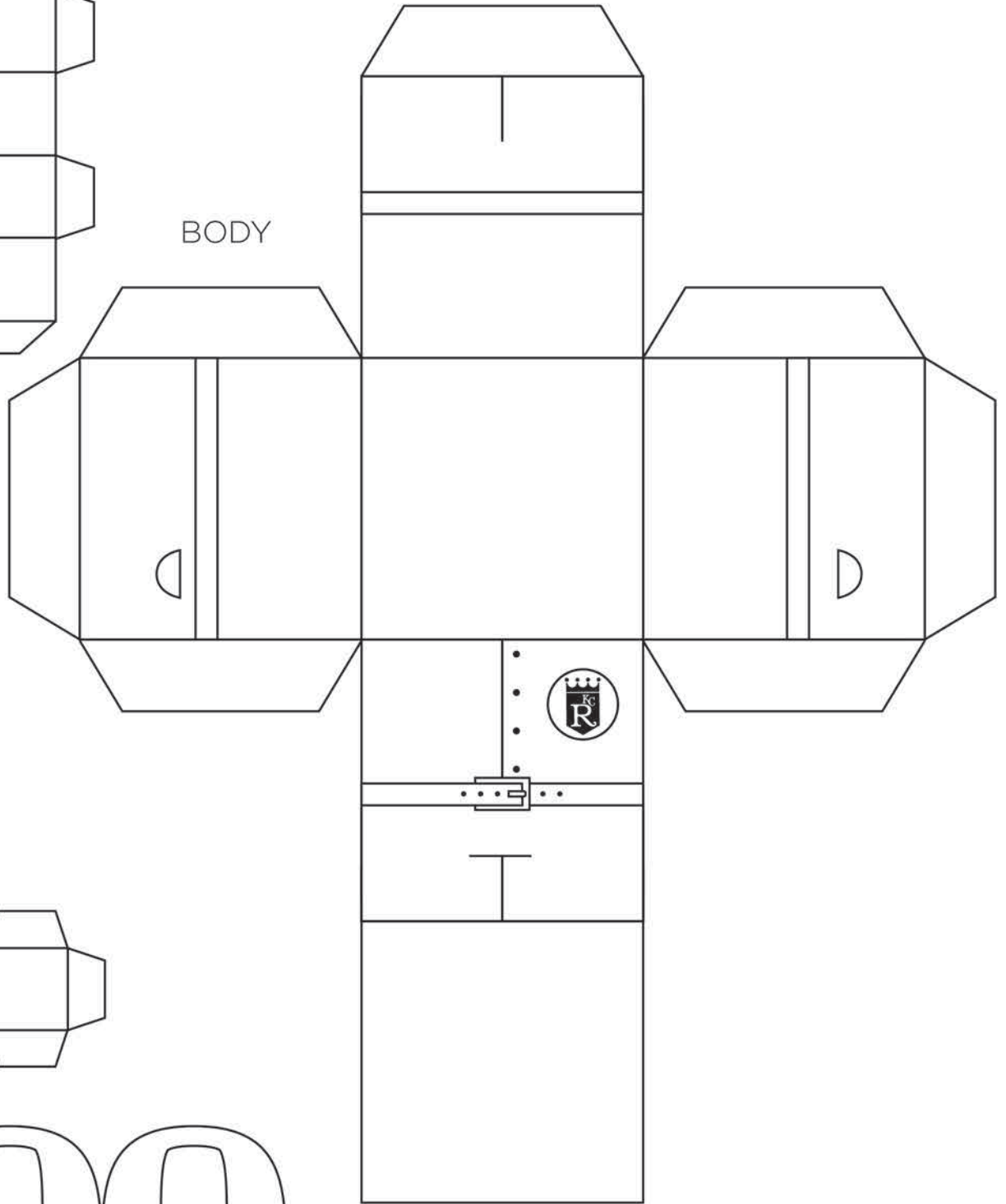
MAKING MR. ROYAL

COLOR IN MR. ROYAL AND THEN CUT HIM OUT TO FOLD HIM INTO A TOY

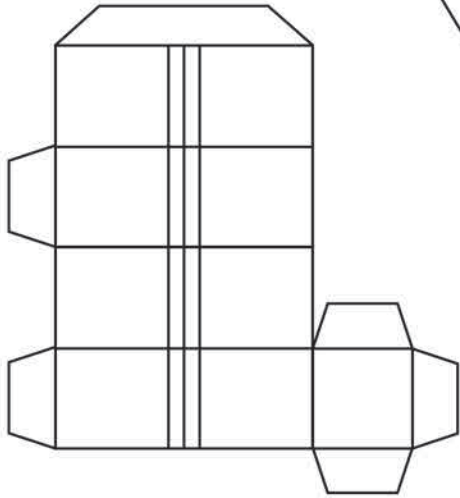
ARM



BODY



ARM



SHOES

